

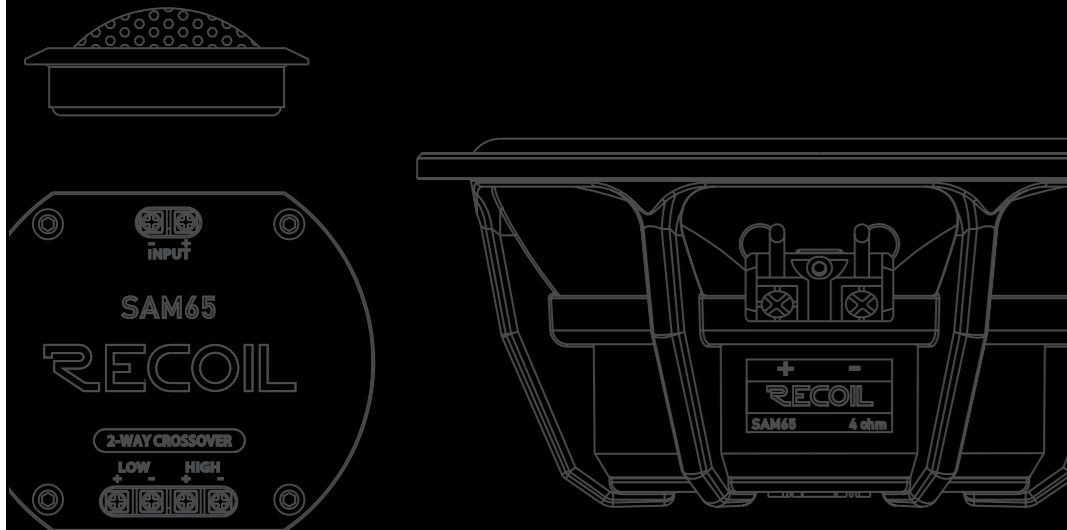
单页双面彩印，N形3对折。

# RECOIL

## 6.5" 2-Way SPEAKER SYSTEM

- 6.5 /165 mm Woofer Driver
- High strength aluminum Frame
- Special formula Cone
- Over Sized Magent provides Outstanding Energy for Maximum Control
- 1"/25.4mm Pure SV Voice Coil Wound on Kapton Former utlyizing EI CCAW Wire
- Soft Dome Tweeter

# SAM65 SPEAKER SYSTEM



### BEFORE YOU START - CONGRATULATIONS!

Congratulations on your purchase of our product! We hope that RECOIL acoustics will delight you with impressive performance. In the production of our speakers, high-quality components and ultra-modern materials are used. This manual contains the basic instructions required for the correct installation and use of the system. Before installing the components, please read all instructions in this manual carefully. Failure to follow instructions can result in unintentional damage or product damage. If there is any question, please contact support@recoilaudio.com



**WARNING:** To prevent damage to the equipment and any other possible injury, disconnect the battery from the power source before installation.

### SPECIFICATIONS

SAM65:

- 6.5"/166mm woofer;
- High quality paper adds glass fiber cone;
- 25mm silk done tweeter;
- Pure SV Voice Coil Wound on Kapton;
- Magnetic fluid coolant(Tweeter);
- Powerful NdFeB magnet;
- High performance polyester capacitor;
- High and low audio loudness can be;
- adjusted separately;

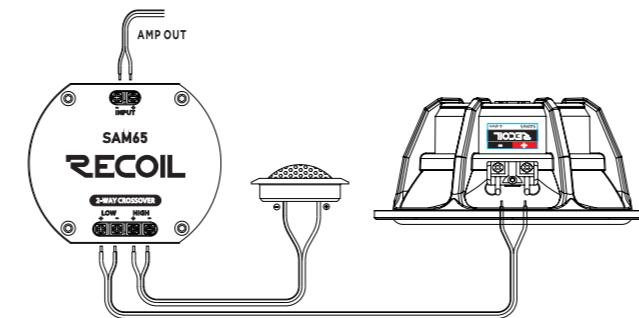
1

### THIELE/SMALL PARAMETERS

Model	SAM65
Nominal Diameter	6.5" (166mm)
Voice Coil Diameter	1.0" (25.5mm)
Impedance (DCR)	3.4Ω
Fs - Free Air Resonanc (RMS/PEAK)	65- 20KHz 70W/200W
Qts	0.63
Qes	0.79
Qms	3.15
Equivalent Volume (Vas)	0.29ft³ (8.3L)
Sensitivity (1W/1M)	90dB
Xmax	0.14" (3.5mm)

### FEATURES

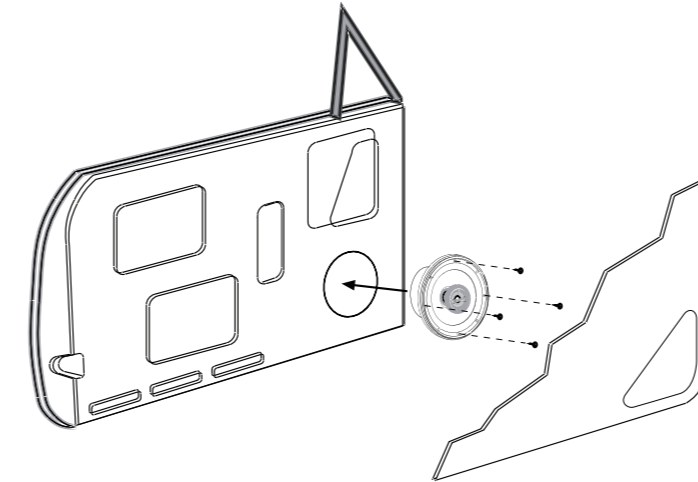
Each RECOIL crossover has a tweeter attenuation jumper and a phase adjustment located under the removable cover. Choose "0" or "-3dB". If the tweeter is significantly closer to the listener than the midrange, this adjustment should improve the frequency level balance. Choose "0" or "180" degress of polarity by reversing the wiring "+" and "-". This adjustment may improve frequency response depending on the tweeter mounting location relative to the mid-range. We can also adjust the "0" and "-3" gears of the bass according to the user's hearing needs.



2

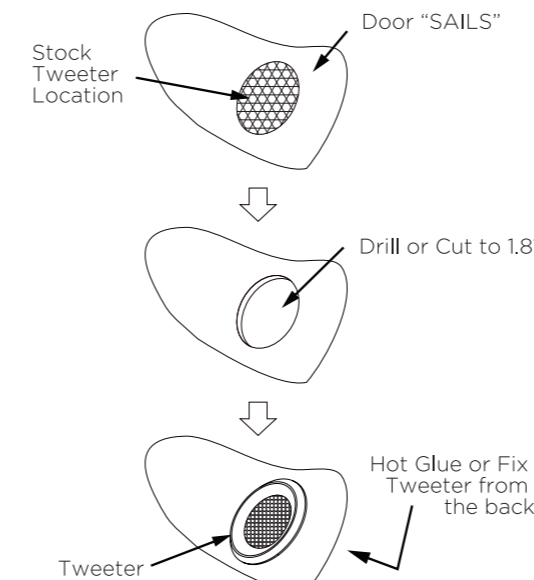
### WOOFER MOUNTING

#### Installation of front sound field speakers:



### TWEETER MOUNTING

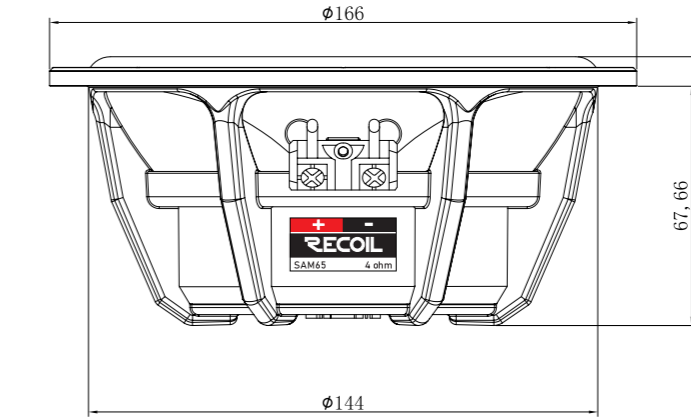
#### FRONT MOUNT TOP OF DOOR "SAILS"



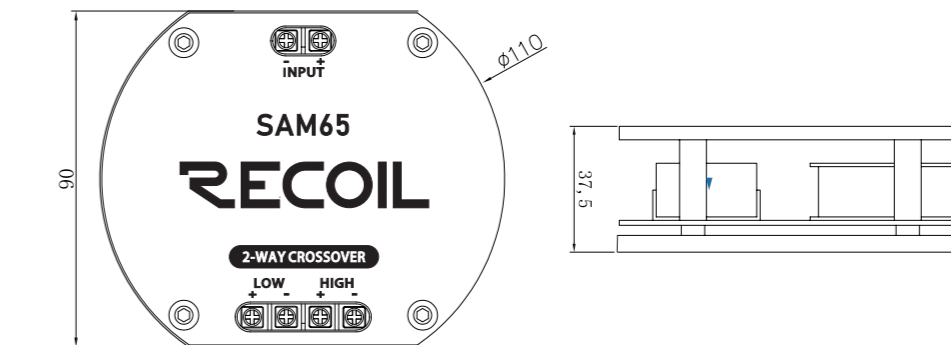
3

### Dimensions

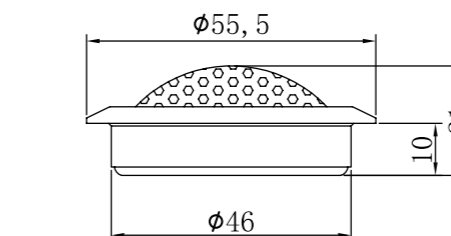
#### Woofer



#### Crossover



#### Tweeter



4



WWW.RECOILAUDIO.COM

COPYWRITE© 2023 RECOIL ALL RIGHTS RESERVED. RECOIL, AVS INDUSTRIAL CO. LTD AND DOMESTIC INVESTMENT GROUP, LLC ASSUME NO RESPONSIBILITY OR LIABILITY FOR FINES OR DAMAGES INCURRED AS A RESULT OF IMPROPER USE OF THIS PRODUCT.