

RECOIL

6.5" 2-way car speaker

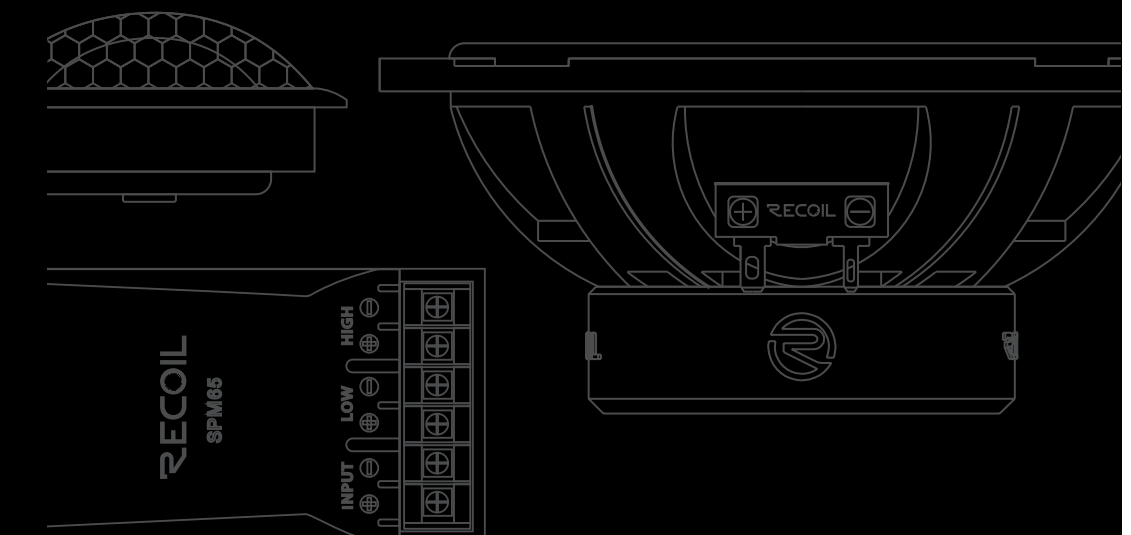
- Aluminum die-cast frame and structure provides strong foundation
- Polypropylene+Mica cones enable faster midrange response.
- Silk soft-dome tweeters feature oversized 1" (SPM65)
- 12dB/octave crossover and a 3-level tweeter adjustments (SPM65)
- 1.1" PEI tweeters feature oversized 0.51" KSV voice coils (SPX65)
- RMS Power - 65 Watts/Peak Power - 130 Watts (SPM65)
- RMS Power - 55 Watts/Peak Power - 110 Watts (SPX65)

SPM65 / SPX65 SPEAKER SYSTEM



www.RecoilAudio.com

©2022, all rights reserved. Recoil and its logo are registered trademarks of Ningbo AVS Industrial Company, Limited. All other trademarks are property of their respective owners. AVS Industrial assumes no responsibility or liability for damages incurred with the improper use of this product.



INTRODUCTION

Dear Customer

Congratulations on your purchase of the world's finest brand of audio products. At RECOIL we are fanatics about musical reproduction at its best, and we are pleased you chose our product. Through years of engineering expertise, hand craftsmanship and critical testing procedures, we have created a wide range of products that reproduce music with all the clarity and richness you deserve. For maximum performance we recommend you have your new product installed by an Authorized RECOIL Dealer. Please read your warranty and retain your receipt and original carton for possible future use.



Before installation, disconnect the battery negative (-) terminal to prevent damage to the unit, free and/or possible injury.

SPM65/SPX65 Thiele/Small Parameters

| Model | SPM65 | SPX65 |
|-------------------------|-----------------------------|-----------------------------|
| Nominal Diameter | 6.5" (166mm) | 6.5" (166mm) |
| Voice Coil Diameter | 1.0" (25.5mm) | 1.0" (25.5mm) |
| DCR | 3.2Ω | 3.2Ω |
| Frequency Response | 63 - 20KHz | 68-22kHz |
| Power Rating (RMS/Peak) | 65W/150W | 55W/130W |
| Fs - Free Air Resonance | 63Hz | 68Hz |
| Qts | 0.75 | 0.77 |
| Qes | 0.89 | 0.89 |
| Qms | 4.6 | 4.4 |
| Vas | 0.43ft ³ (12.1L) | 0.42ft ³ (11.8L) |
| Sensitivity (1W/1M) | 88dB | 88dB |
| Xmax | 0.14" (3.5mm) | 0.14" (3.5mm) |

SPECIFICATIONS

SPM65:

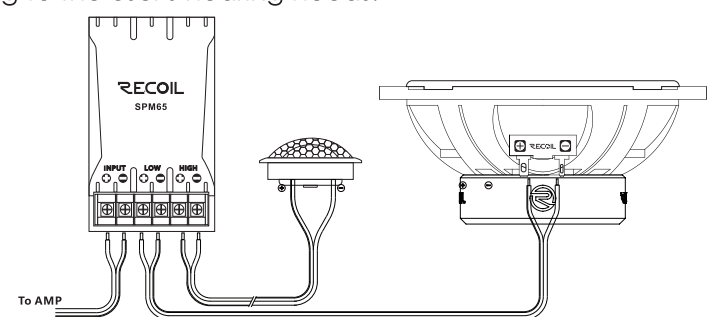
- 6.5"/165mm Aluminum die-cast frame and structure provides strong foundation.
- Polypropylene+Mica cones provides high output and accurate frequency reproduction.
- Pure SV Voice Coil Wound on Kapton.
- 1" (25mm) silk dome tweeter.
- Magnetic fluid coolant (Tweeter).
- Crossover Point:
W : 3200Hz/12dB
T : 3500Hz/12dB
Crossover Controls
Tweeter : -3dB / 0dB / + 3dB

SPX65:

- 6.5"/165mm Aluminum die-cast frame and structure provides strong foundation
- Polypropylene+Mica cones provides high output and accurate frequency reproduction.
- 1.1" PEI tweeters feature oversized 0.51" KSV voice coils for higher power handling resulting in smooth, fatigue free highs.
- Magnetic fluid coolant (Tweeter).
- Dedicated 6dB/octave, high-quality crossover components direct the highs and lows to the appropriate speakers for the best sound possible

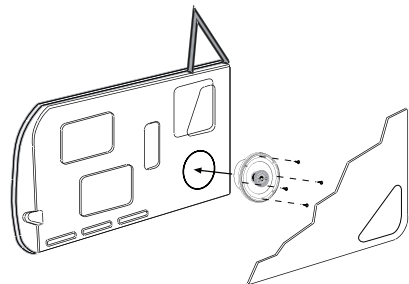
CONNECTION

Each RECOIL crossover has a tweeter attenuation jumper and a phase adjustment located under the removable cover. Choose "+3", "0" or "-3dB". If the tweeter is significantly closer to the listener than the midrange, this adjustment should improve the frequency level balance. Choose "0" or "180" degrees of polarity by reversing the wiring "+" and "-". This adjustment may improve frequency response depending on the tweeter mounting location relative to the midrange. We can also adjust the "+3", "0" and "-3" gears of the bass according to the user's hearing needs.

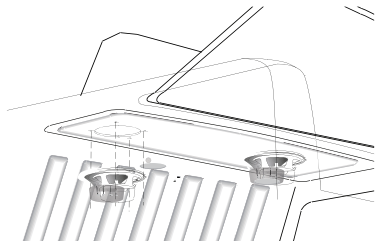


Woofer Mounting

Installation of front sound field speakers:

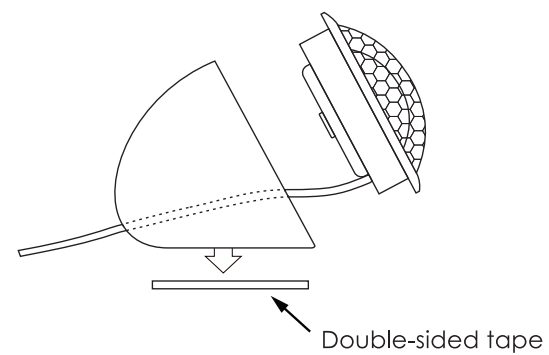


Installation of rear sound field speakers:



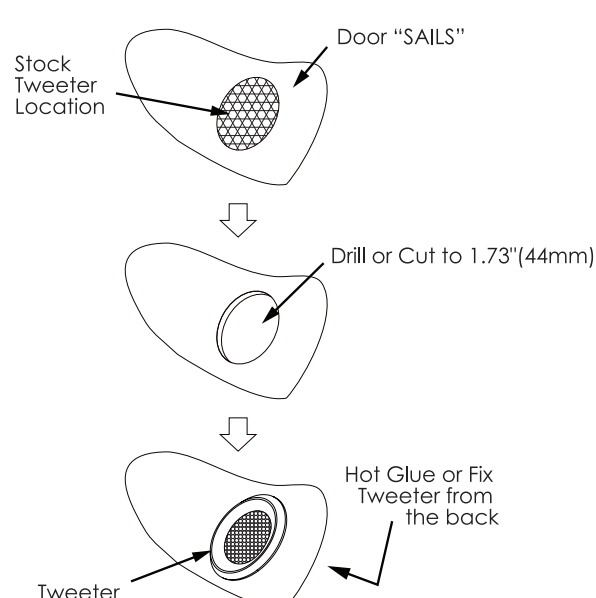
Tweeter Mounting(2)

Installation diagram II of front sound field tweeter: installation on the inclined surface of the center console;

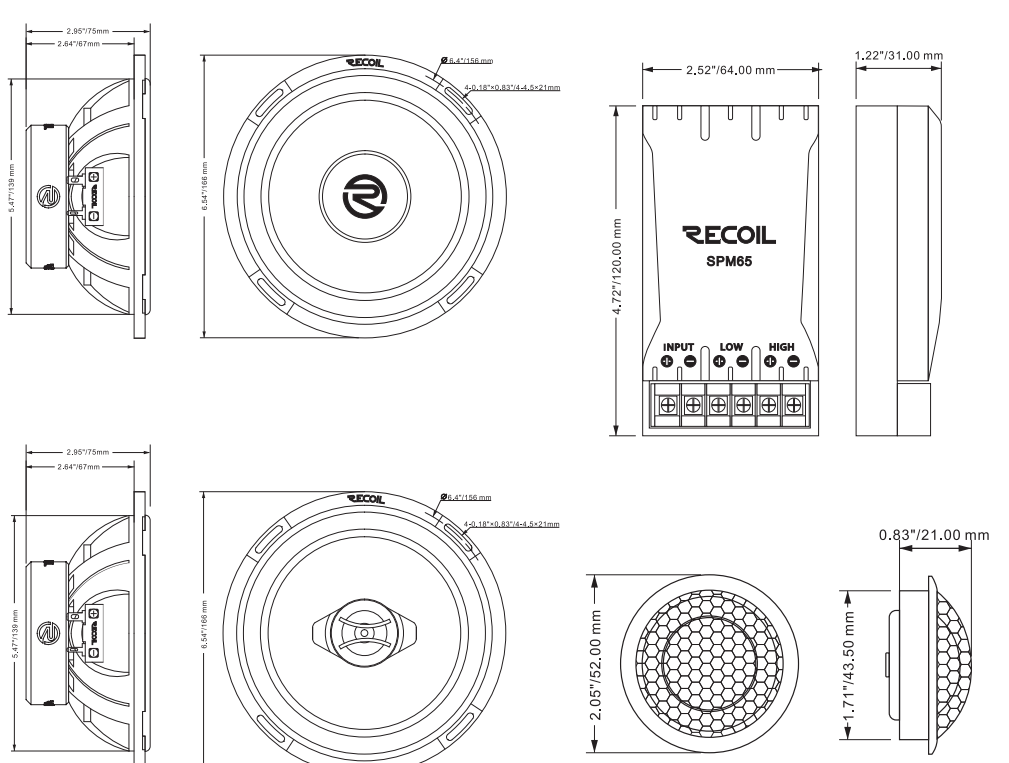


Tweeter Mounting(1)

FRONT MOUNT TOP OF DOOR "SAILS"



Dimensions



3

4