

# VOCE II

## AVK 6 S II

Kit 250 W Peak Power 165 mm (6.5 in.) 4 ohm

The Audison VOCE II AVK 6 S II system, equipped with the high-power AV 6.5 S II woofer and Hi-Res Audio certified AV 1.0 II tweeter, delivers superb performance. The integration of AVCX 2 W and AVCX 2 T crossovers simplifies installation while enabling advanced sound tuning, including bi-amplification and meticulous adjustments for tweeter level and mid contour. These crossovers, built with high-quality components, ensure a harmoniously balanced audio experience, enhancing durability and clarity. This setup achieves seamless integration and superior sound customization, making it an ideal solution for sophisticated car audio upgrades.



### TECHNICAL SPECS LF

Woofer Size	165 mm (6.5 in)
Impedance	4 Ohm
Power Handling - Peak	250 W
Power Handling - Continuous	125 W
	(-6dB)
Frequency Response	50 - 5500 Hz
Voice Coil Diameter	36 mm (1.42 in)
Magnet Material	HIGH DENSITY FLUX FERRITE
Magnet Size	92 x 42 x 15 mm
Cone Material	PRESSED PAPER CONE
Crossover Type	Two Way Separate case for Woofer (AVCX 2 W - Full/6dB Oct.) & Tweeter (AVCX 2 T - 12dB/Oct.)
Crossover Level Adjustment	AVCX 2 T: Tweeter Level: 0 / -1.5 dB; AVCX 2 W: Woofer Mid-Contour On / Off

### TECHNICAL SPECS HF

Tweeter Size	25.4 mm (1 in)
	Comply with HiRes Audio JAS, testing condition IEC 60268-5
Frequency Response	1200 - 40000 Hz
	Hi-Pass filtered @ 1,5 kHz - 12dB Oct.

All the specifications subject to change without notice\_20.A

Power Handling - Peak	150 W
Voice Coil Diameter	25 mm <b>(1.42 in)</b>
Dome Material	TETOLON FIBER

## ELECTRIC-ACOUSTIC SPECS LF

Re	2.9 Ohm
Fs	67 Hz
Mms	13.2 g
Cms	0.43
BL	4.9
Qms	6.76
Qes	0.67
Qts	0.61
Vas	10.28 l
Le	0.3 mH
Spl	91 dB
Xmax	4.2 mm <b>(0.17 in)</b>

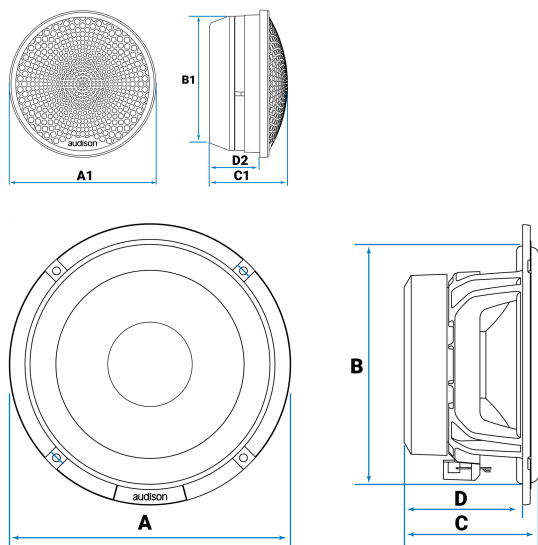
## KIT TECH DATA

Crossover Low-Pass	AVCX 2 W: Woofer, Full/6dB Oct.
Crossover Hi-Pass	AVCX 2 T: Tweeter, 12dB/Oct.
Crossover Cut Off	3.5 kHz (Mid-Contour Off)
Cone Diameter	128.35 mm

## GENERAL

Weight Woofer	1.3 kg
Weight Tweeter	0.14 kg
Weight Crossover	0.1 kg

## DIMENSIONS



Dimension A	165 mm (6.5 in)
Dimension A1	43.8 mm
Dimension B	140.8 mm (5.54 in)
Dimension C	65.6 mm (2.58 in)
Dimension D	61 mm (2.4 in)
Dimension B1	40.8 mm
Dimension C1	25.5 mm
Dimension D1	16.1 mm

All the specifications subject to change without notice\_20.A