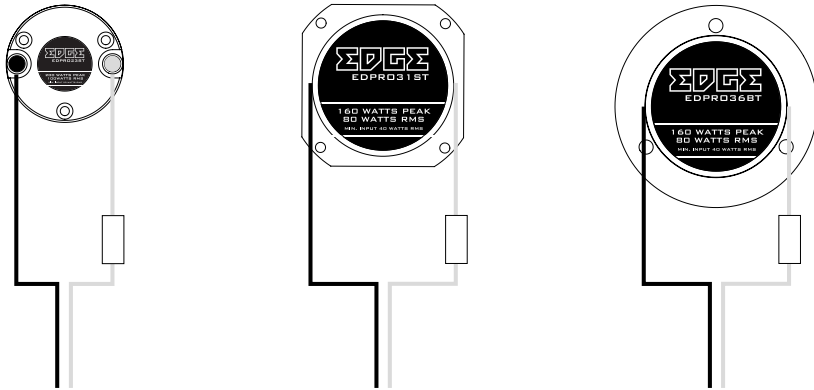


SPECIFICATION

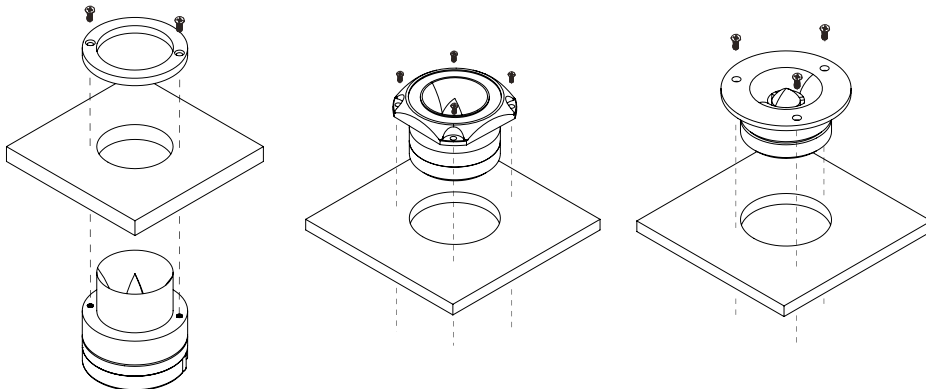
MODEL	EDPRO235T-E7	EDPRO31ST-E7	EDPRO31STS-E7	EDPRO36BT-E7
TYPE	COMPRESSION DRIVER	BULLET TWEETER	BULLET TWEETER	BULLET TWEETER
DIAPHRAGM	TITANIUM	ALUMINIUM	ALUMINIUM	ALUMINIUM
CONFIGURATION	1-WAY	1-WAY	1-WAY	1-WAY
SPEAKER SIZE	2.3" (56MM)	3.1" (80MM)	3.1" (80MM)	3.7" (95MM)
RMS POWER	100 WATTS	80 WATTS	80 WATTS	80 WATTS
PEAK POWER	200 WATTS	160 WATTS	160 WATTS	160 WATTS
MINIMUM INPUT (RMS)	50 WATTS	40 WATTS	40 WATTS	40 WATTS
FREQUENCY RESPONSE	2KHZ - 20KHZ	2KHZ - 18KHZ	2KHZ - 18KHZ	2KHZ - 20KHZ
IMPEDANCE	4Ω	4Ω	4Ω	4Ω
MOUNTING DEPTH	1.4" (36MM)	1.5" (39MM)	1.5" (39MM)	1.7" (44MM)
MOUNTING DIAMETER	1.7" (42MM)	2.8" (70MM)	2.8" (70MM)	2.8" (70MM)
SENSITIVITY	106dB	106dB	106dB	105dB

WIRING DIAGRAM

Note : Supplied capacitor must be fitted unless using an active crossover



INSTALLATION DIAGRAM



EDGE PRO AUDIO TWEETER OWNERS MANUAL

Congratulations on purchasing your EDGE speakers. Please read this manual in order to fully understand how to get the best results from this product and ensure that all advice on how to look after the product is followed.

Thank you for buying EDGE, we hope you enjoy listening to your product as much as we enjoyed creating it.

DO NOT EXPOSE THIS PRODUCT TO DAMP OR MOISTURE - doing so may result in fire, shock or damage to the product.
BEFORE WIRING DISCONNECT THE CABLE FROM THE POSITIVE BATTERY TERMINAL - failure to do so may result in electric shock or injury.
ENSURE GOOD AND CORRECT CONNECTIONS - failure to make the correct connections may result in fire or damage to the product.
DO NOT USE ANY FUNCTIONS OF THIS EQUIPMENT THAT MAY TAKE YOUR CONCENTRATION AWAY FROM DRIVING YOUR VEHICLE - do not set up your amplifier whilst driving, doing so may result in an accident. For prolonged setting up, make sure that your vehicle is stationary and in a safe location.
KEEP THE VOLUME AT A LEVEL SO YOU CAN STILL HEAR OUTSIDE NOISE - failure to do this may result in an accident. EDGE equipment is capable of producing sound levels that can permanently damage your hearing. EDGE recommends caution when listening at high volume. For safe and enjoyable listening the sound should be comfortable and clear without distortion.

CAUTION

Never connect any speaker lead to the car chassis. This can cause severe damage to your speaker /car radio /amplifier. Before drilling or cutting any holes, investigate the layout of your vehicle thoroughly. Use caution when working near the fuel / hydraulic lines and electrical wiring. Observe the correct polarity when wiring, improper phasing may cause a loss of bass response. Ensure that no moving parts catch on the speaker or grill (e.g. window or door handles, or window glass inside the door)

INSTALLATION

- The quality of the installation will affect the system performance and reliability.
- Contact your nearest authorised EDGE dealer if you are unsure about the installation of this product.
- Please mount this unit away from any potential hazards.
- Minimising the length of wires will provide higher audio output from the system.
- The speaker should be securely fastened to the mounting position using the screws provided.
- Pre drill your mounting holes using a drill and position with the template provided.
- Be sure to investigate your mounting area thoroughly for electrical wires, brake or fuel lines or fuel tank to prevent causing any damage.

All EDGE products carry a full 12 month warranty, valid from the date of the original receipt and proof of purchase. In order to validate this warranty, the online warranty card should be completed within seven days of the original purchase date. The original receipt and packaging should be retained for this twelve month period. If the product develops a problem any stage during the warranty period, it should be returned to the point of purchase in it's original packaging, and complete with no items missing. If the store is unable to repair the product it may have to be returned to EDGE.

A full description of EDGE's warranty information can be found on our website:

www.edgecaraudio.com

WHAT IS NOT COVERED

- Damage to product due to improper installation.
- Subsequent damage to other components.
- Damage caused by exposure to moisture, excessive heat, chemical cleaners and / or UV radiation.
- Damage through negligence, misuse, accident or abuse. Repeated returns for the same fault may be considered abuse.
- Any cost or expense related to the removal and / or re-installation of the product.
- Damage caused by amplifier clipping or distortion.
- Items repaired or modified by any unauthorised repair facility.
- Return shipping on non defective items.
- Products returned without a returns authorisation number.
- Damage to product due to use of sealant.

INTERNATIONAL WARRANTY

Contact your international EDGE dealer or distributor concerning specific procedure for your country's warranty policies. Please contact www.edgecaraudio.com for more information.

WARNING

EDGE Equipment is capable of sound pressure levels that can cause permanent damage to your hearing and those around you. Please use common sense when listening to your audio system and practice safe sound.

UK TECHNICAL ENQUIRIES

Call 09067031420

Calls cost 50p per minute. Call costs correct at date of publication (01/02/12)

Hours of business 9.00am - 5.30pm GMT Monday - Friday.

All calls are recorded for training purposes.

MIDBASS Distribution

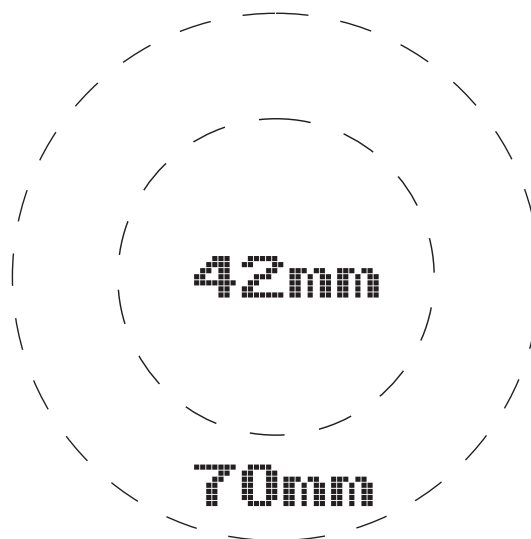
PO Box 11000

B75 7WG

INTERNATIONAL TECHNICAL ENQUIRIES

For international technical support please contact the distribution agent for your country. Please visit www.edgecaraudio.com for more details.

CUT OUT TEMPLATE



EDPRO23ST-E7 : 42MM
EDPRO31ST-E7 : 70MM
EDPRO31STS-E7 : 70MM
EDPRO36BT-E7 : 70MM

CAUTION!

Before drilling or cutting any holes please investigate the layout of your vehicle.

If possible keep the speakers away from any wiring harnesses, brake lines, fuel lines or the fuel tank.

If this is not possible then extra care and attention should be taken when cutting / drilling any holes in the vehicle.

Ensure that the speaker when fitted will not catch on any moving parts such as door / window handles.

If mounting in a door check that the window can still be fully lowered before installing.