

# RECOIL

## 6.5" 2-Way / 3-Way SPEAKER SYSTEM

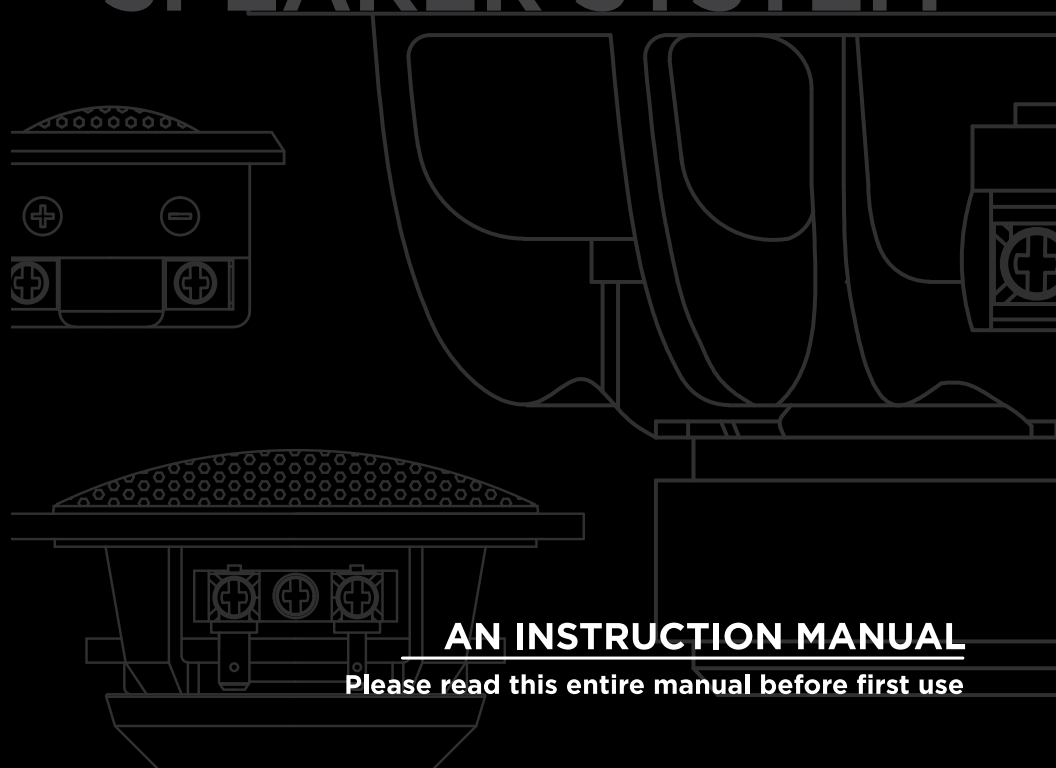
- 6.5" Aluminum basin frame Woofer Driver
- Soft Iron Top Plates for High Heat Dissipation
- Over Sized Magnet provides Outstanding Energy for Maximum Control
- 3" Midrange Driver (In 3-Way System Only)
- 1.2" (RPM265)/1.4" (RPM365) KSV high-temperature resistant voice coil
- 1" Soft Dome Tweeter
- Open Weave Silk Dome Diaphragm
- RECOIL Customized High Performance Capacitor Crossover

## RPM265/365 SPEAKER SYSTEM



[WWW.RECOILAUDIO.COM](http://WWW.RECOILAUDIO.COM)

COPYRIGHT © 2024 RECOIL. ALL RIGHTS RESERVED. RECOIL, AVS INDUSTRIAL CO. LTD. AND DOMESTIC INVESTMENT GROUP, LLC ASSUME NO RESPONSIBILITY OR LIABILITY FOR FINES OR DAMAGES INCURRED AS A RESULT OF IMPROPER USE OF THIS PRODUCT.



**AN INSTRUCTION MANUAL**  
**Please read this entire manual before first use**

## Introduction

Congratulations on your purchase of the world's finest brand of audio products. At Recoil we are fanatics about musical reproduction at its best, and we are pleased you chose our product. Through years of engineering expertise, hand craftsmanship and critical testing procedures, we have created a wide range of products that reproduce music with all the clarity and richness you deserve. For maximum performance we recommend you have your new Recoil product installed by an Authorized Recoil Dealer. Please read your warranty and retain your receipt and original carton for possible future use.

## RPM265/365 Thiele/Small Parameters

Model	RPM265	RPM365
<b>Nominal Diameter:</b>	6.5" (166mm)	6.5" (166mm)
<b>DCR:</b>	2.8 OHM	2.8 OHM
<b>Frequency Response:</b>	50-20kHz	50-20kHz
<b>Voice Coil Diameter:</b>	1.2" (30.5mm)	1.4" (35.5mm)
<b>Power Rating:</b>	60W/120W	80W/160W
<b>Fs - Free Air Resonance:</b>	60 Hz	60 Hz
<b>Qts:</b>	0.546	0.533
<b>Qes:</b>	0.591	0.638
<b>Qms:</b>	7.14	3.221
<b>Vas:</b>	17.2L	12.639L
<b>Sensitivity:</b>	90dB	90dB
<b>Xmax:</b>	0.16"(4mm)	0.16" (4mm)

## List of Articles

**Open package**  
Please confirm the item # on the package of the speakers you purchased (Model# is on the package).  
If the model # is different from what you want to purchase, please contact your purchase merchant immediately

- \* Open the packing box and you will find the following items in it
- 2 PC Woofer
- 2 PC Mid-Range (RPM365 system only)
- 2 PC Tweeter
- 2 PC Crossover
- User Manual
- Screws bag

## LIMITED SPEAKER WARRANTY STATEMENT

### One Year Limited Warranty

Recoil Audio warrants the original owner that this product will be free of defects in material and workmanship for the period of one year from the date of the original purchase or installation, if:

- The allegedly defective product has not been abused, misused or improperly maintained and/or repaired during the warranty period,
- The defect is not caused by flooding, fire, explosion, earthquakes or similar phenomenon, and
- The defect is not caused by improper use

In order to obtain warranty service, contact your selling dealer or distributor in the country that your product was purchased. Recoil Audio will, at its option, repair or replace the product free of charge.

To the full extent allowed by law, Recoil Audio excludes and disclaims liability, whether based in contract or tort including negligence for any consequential, indirect incidental or special damages of any nature arising out of the sale, maintenance, use or failure of this product, even if Recoil Audio has been advised of the possibility of such damages in advance, and Recoil Audio limits its liability to replacement, repair or refund of the purchase price paid, at Recoil Audio's option.

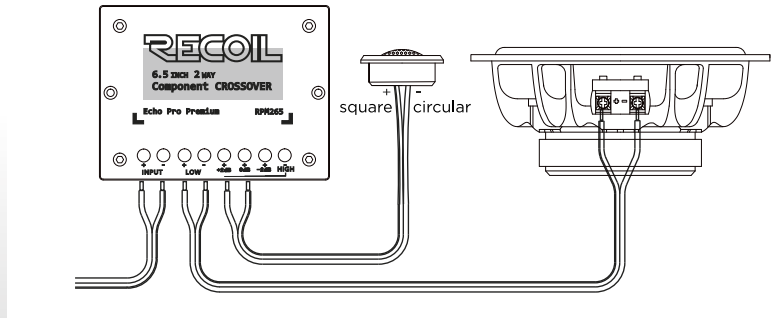
Some states do not allow limitations on how long an implied warranty lasts and/or do not allow the exclusion or limitation of incidental or consequential damages, so the above limitation on implied warranty can incidental or consequential damages may not apply to you. This warranty gives you specific legal rights you may have other rights, which vary from state to state.

[www.recoilaudio.com](http://www.recoilaudio.com)

## RPM265/365 Features

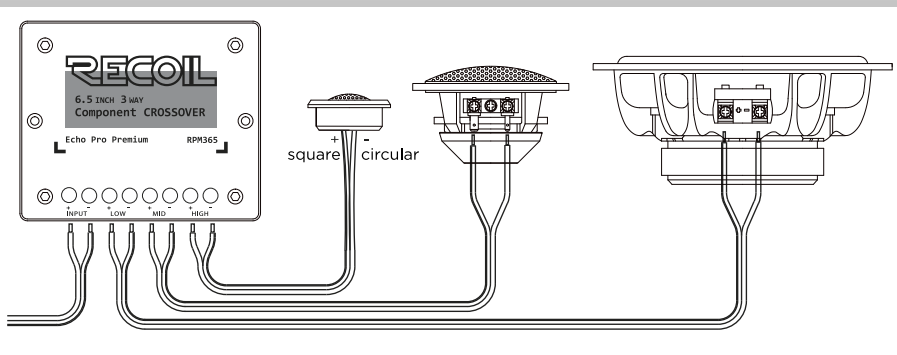
### RPM265 - 2 WAY SYSTEM

Each Recoil crossover has a tweeter attenuation jumper and a phase adjustment located under the removable cover. Choose "0" or "-2dB". If the tweeter is significantly closer to the listener than the midrange, this adjustment should improve the frequency level balance. Choose "0" or "180" degrees of polarity by reversing the wiring "+" and "-". This adjustment may improve frequency response depending on the tweeter mounting location relative to the midrange.



### RPM365 - 3 WAY SYSTEM

The RPM365 crossover is fixed at 6dB slopes to better match up and reduce comb filtering in the vehicle. Some times drivers become out of phase because of distance between drivers and you may need to reverse polarity. Choose "0" or "180" degree of polarity by reversing the wiring "+" and "-". This adjustment may improve frequency response depending on the tweeter mounting location relative to the midrange.



## RPM265/365 Features

### RPM265/365 WOOFER

- 6.5 "/165 mm Woofer Driver
- Loss-Less Soft Foam Edge with Paper Cone for long throw
- Soft Iron Top Plates for High Heat Dissipation
- Symmetrical Magentic Flux Motor Assembly
- Pure SV Vocie Coil Wound on Kapton Former for Excellent Thermal and Mechanical Capability
- Over Sized Magent provides Outstanding Energy for Maximum Control
- Power (60WRMS/140MAX)

### RPM365 MIDRANGE

- 3"/91mm Midrange Driver
- Loss-Less Soft Foam Edge with Paper Cone for long throw
- Soft Iron Top Plates for High Heat Dissipation
- Symmetrical Magentic Flux Motor Assembly
- 0.78" Pure SV Voice Coil Wound on Kapton Former utlyizing EI CCAW Wire
- Highest Grade Neodymium Magnet Structure
- Thermal and Mechanical Capability
- Over Sized Magent provides Outstanding Energy for Maximum Control
- Power (20WRMS/45MAX)

### RPM265/365 TWEETER

- 1"/25.4mmSoft Dome Tweeter
- Open Weave Silk Dome Diaphragm
- Kapton Voice Coil Former
- Low Viscosity Ferro-Fluid Cooling
- Symmetrical Magentic Flux Motor Assembly
- Highest Grade Neodymium Magnet Structure
- Low Free-Air Resonance (1,500Hz)
- Power (20WRMS/45MAX)

### RPM265/ CROSSOVER

- High Grade Mylar Capacitors
- Unique Automatic Thermal Protection
- Crossover Point:  
W - 4500Hz/12dB  
T - 4,700Hz/12dB

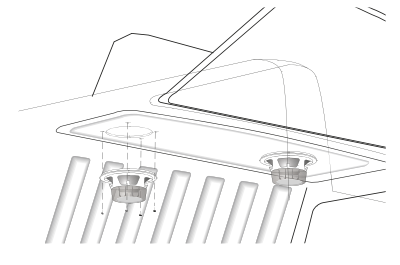
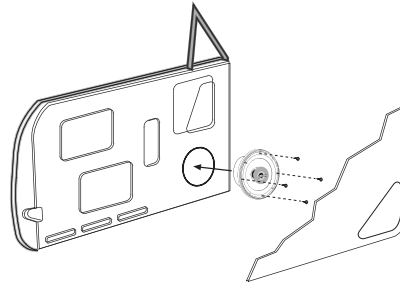
### RPM365/ CROSSOVER

- High Grade Mylar Capacitors
- Unique Automatic Thermal Protection
- Crossover Point:  
W - 1,200Hz/12dB  
M - 1,300Hz/12dB - 4250Hz/12dB  
T - 4,700Hz/12dB

## RPM265/365 Woofer mounting

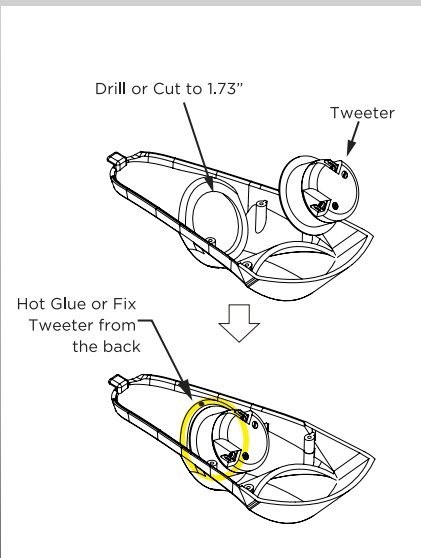
Determine a location in the door that will accept the size of your new speaker. Remove the door panel from the door and check for clearance in the intended speaker location while operating window all the way up and down. Avoid cutting any structural metal to mount the speakers or to accommodate additional depth. If depth or a flat surface mount are an issue, please seek the skills of a professional installation technician.

If you are mounting the speakers in the rear of the vehicle, there are often two options for achieving a good mount. Some speakers mount from the top side (from the interior) while other applications have the speakers mounted from the bottom side (from the trunk). In either case, a flat mounting surface and a good seal are still extremely important.



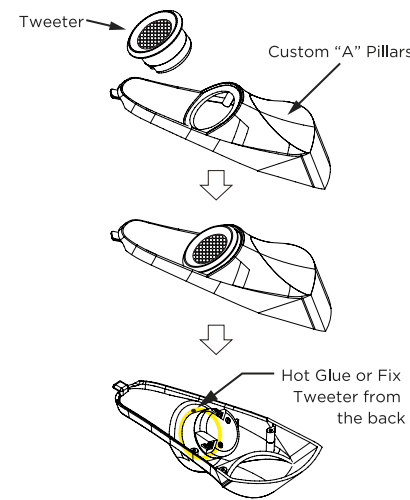
## RPM265/365 Tweeter Mounting

The Recoil Tweeters in the RPM265/385 series speaker system are of the highest quality and designed for use in "Custom" audio systems. Meaning Pillar mounts, custom fiberglass pods, etc. This means that it is ALL Custom and not a normal simple mount. Typically the tweeter is affixed via glues (Hot Glue, etc) so that IF needed the tweeter can be removed realitively easily

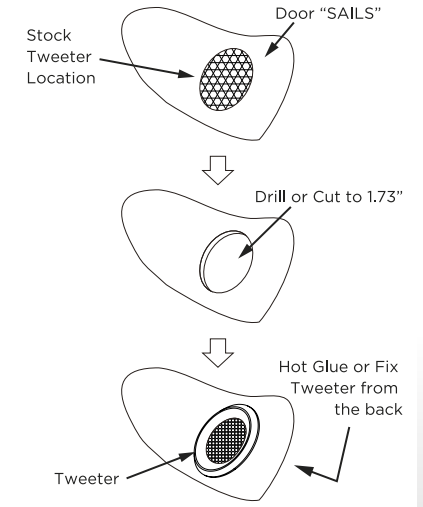


## RPM265/365 Tweeter Mounting

### FRONT MOUNT CUSTOM "A" PILLARS



### FRONT MOUNT TOP OF DOOR "SAILS"



## RPM265/365 Dimensions

