

Prima

# APS 8 D

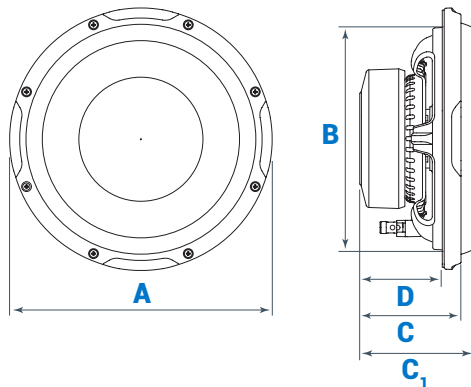
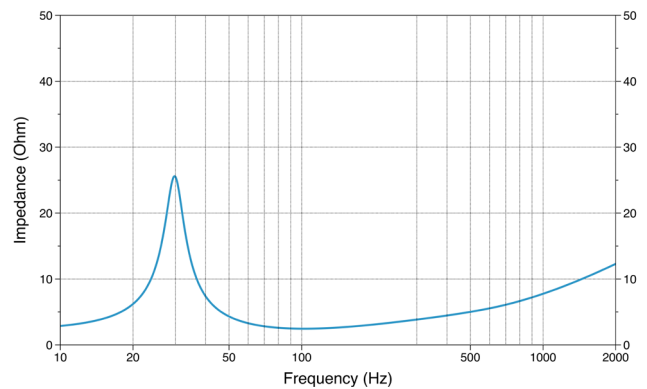
Subwoofer  
500 W



TECHNICAL SPECIFICATIONS		
Component		Subwoofer
Size	mm (in.)	200 (8)
Power Handling	W peak	500
	W continuous	250
Impedance	$\Omega$	4 + 4
Centre to centre distance	mm (in.)	207 (8.15)
Magnet size D x d x h	mm (in.)	120 (4.72) x 50 (1.97) x 28 (1.1)
Total driver displacement	l (cu.in.)	0,67 (0.01)
Hole diameter		5 (0.2)
Weight of one speaker	kg (lb.)	3,1 (6.83)
Magnet		High density flux ferrite
Cone		Water-repellent pressed paper
Subwoofer Voice Coil $\varnothing$	mm (in.)	40 (1.57)
*Xmech		$\pm 16,5$ (0.65)

ELECTRO-ACOUSTIC PARAMETERS		
D	mm	173
Xmax	mm	$\pm 8,8$
Re	$\Omega$	2,1
Fs	Hz	30
Le	mH	1,1
Vas	l	25,5
Mms	g	85
Cms	mm/N	0,3
BL	T·m	8,8
Qts		0,44
Qes		0,46
Qms		5,1
Spl	dB	83,5

- 1 Ultra-low profile (3.11 in. / 79 mm) for maximum installation flexibility.
- 2 Designed to deliver maximum performance in a sealed enclosure starting from 7.5 lt.
- 3 Special designed cone-dustcap-basket geometry which guarantees a long linear excursion capability (almost 9 mm, one-way) while keeping the mounting depth to minimum.
- 4 Air vents on the basket underneath the spider, eliminating the need for the central pole vent allowing mounting close to rear wall of enclosure.
- 5 Massive motor assembly optimized with FEM (Finite Element Modeling) for perfect control under high power, high excursion conditions.
- 6 Water-repellent pressed paper 8 in. cone featuring a profile developed with simulation and optimized with the Klippel Scan Vibrometer.
- 7 Dual voice coil design specifically developed to be combined with either AP8.9 bit (2 CH + 2 CH bridged), AP5.9 bit (Sub CH) or AP4.9 bit/AP4 D (2 CH bridged) amplifiers.
- 8 Steel mesh grille and plastic gasket included.



A	B	C	C <sub>1</sub>	D
222 mm	187 mm	94,6 mm	104 mm	79 mm
8.74 in.	7.36 in.	3.72 in.	4.09 in.	3.11 in.



**Elettromedia**  
62018 Potenza Picena (MC) Italy  
T +39 0733 870 870 - F +39 0733 870 880  
elettromedia.com

audison